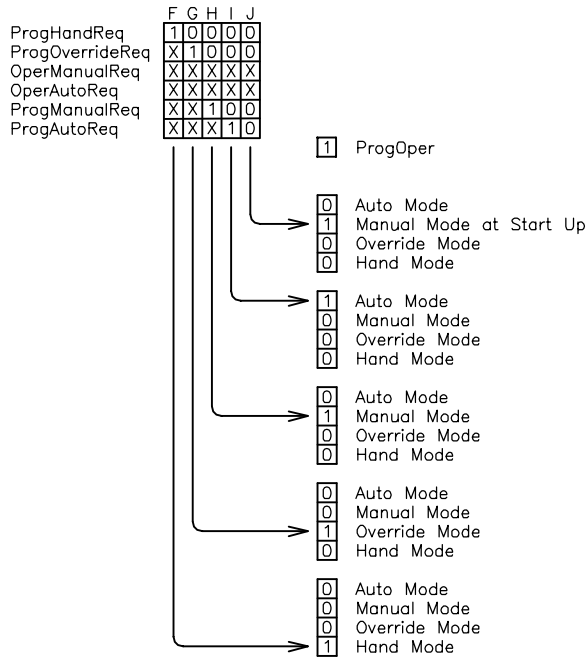
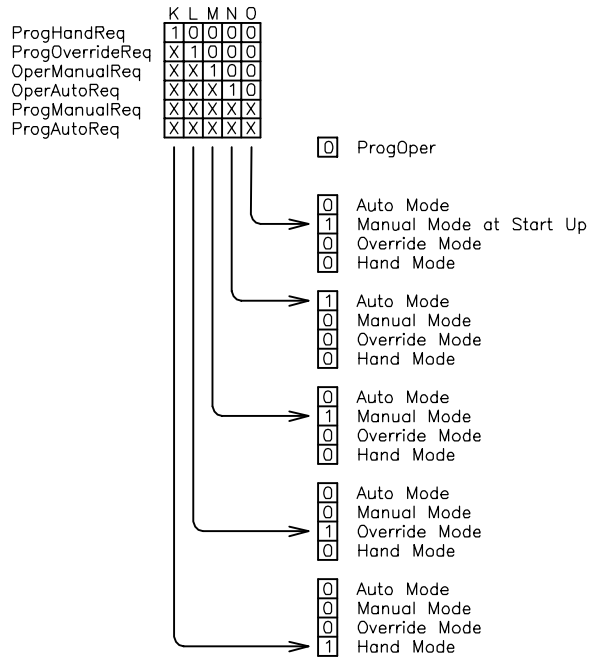


PIDE – Selecting "Operation Mode" – Auto, Manual, Override or Hand

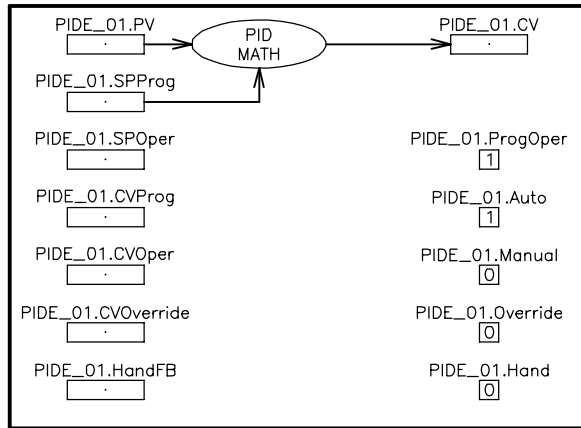
WHILE IN PROGRAM STATE



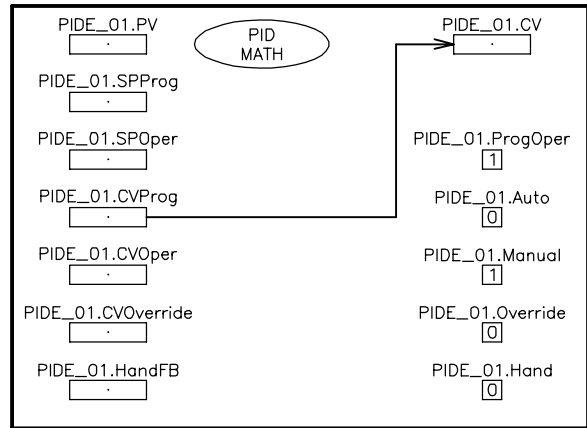
WHILE IN OPERATOR STATE



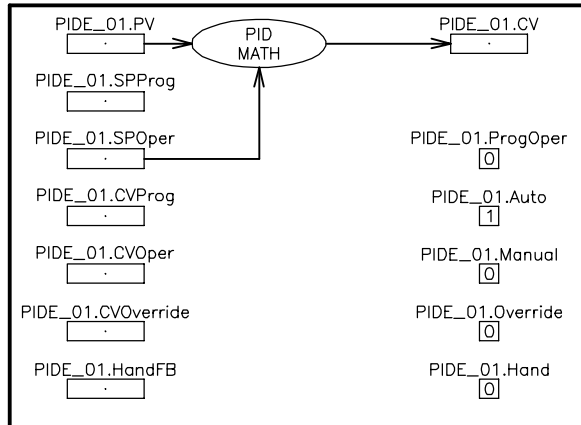
**PROGRAM STATE – AUTO MODE**



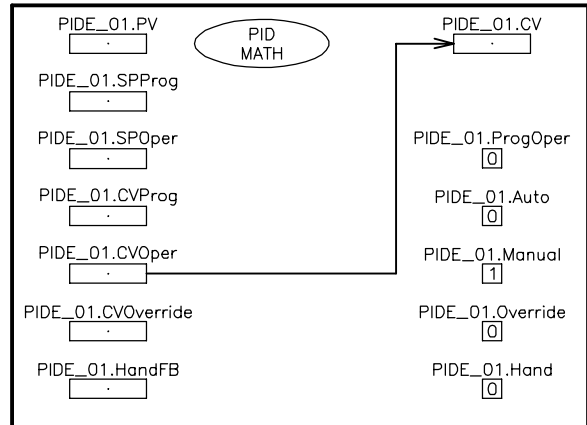
**PROGRAM STATE – MANUAL MODE**



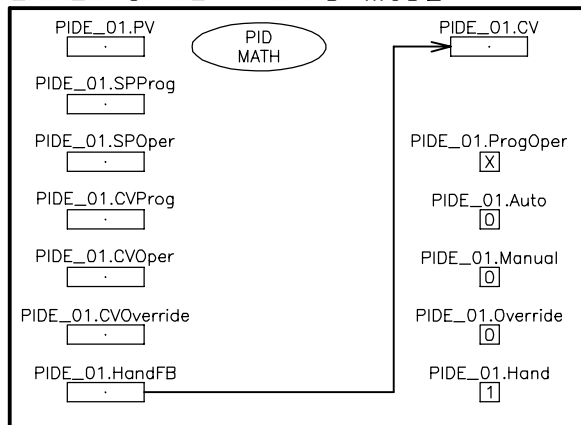
**OPERATOR STATE – AUTO MODE**



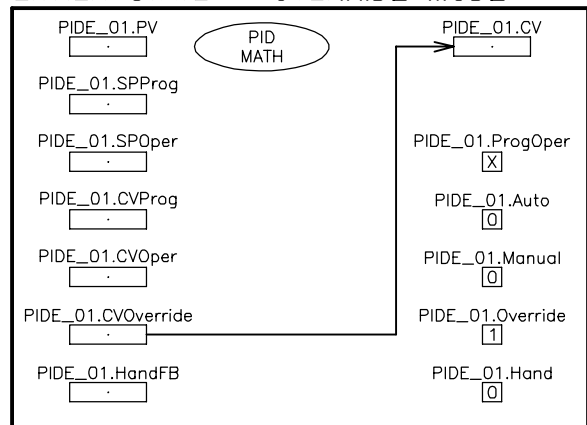
**OPERATOR STATE – MANUAL MODE**



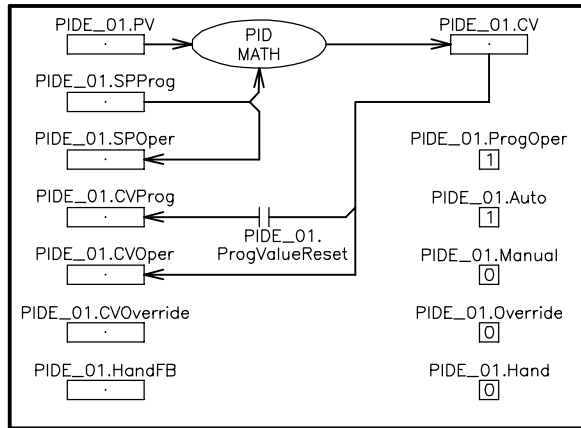
**EITHER STATE – HAND MODE**



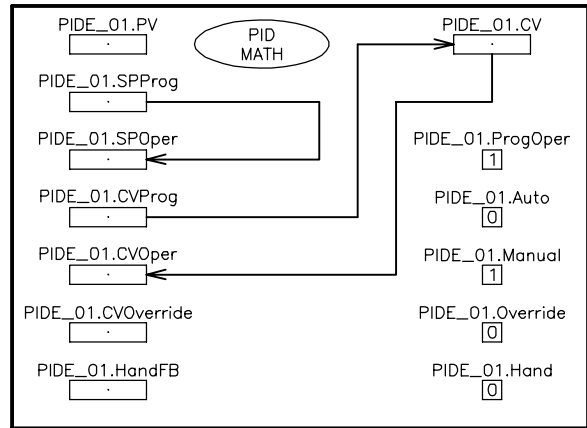
**EITHER STATE – OVERRIDE MODE**



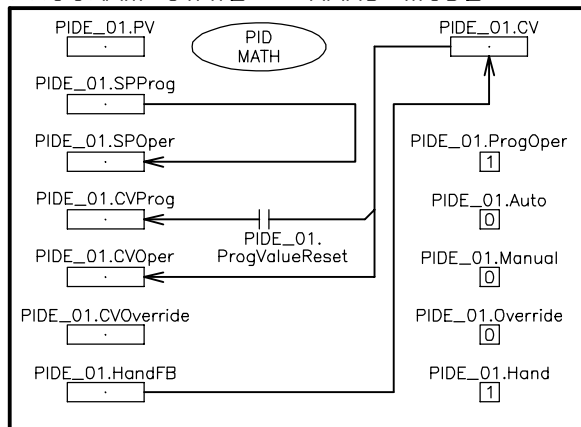
**PROGRAM STATE – AUTO MODE**



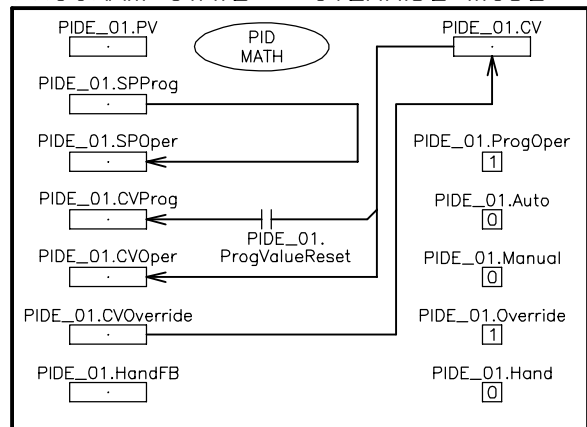
**PROGRAM STATE – MANUAL MODE**



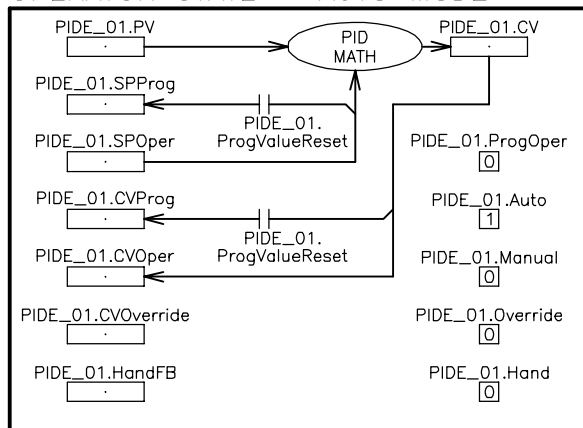
**PROGRAM STATE – HAND MODE**



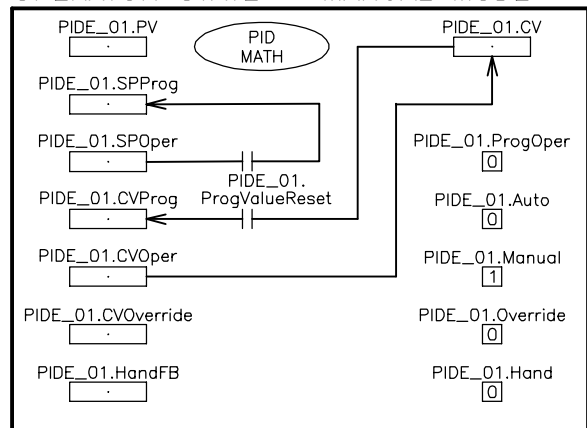
**PROGRAM STATE – OVERRIDE MODE**



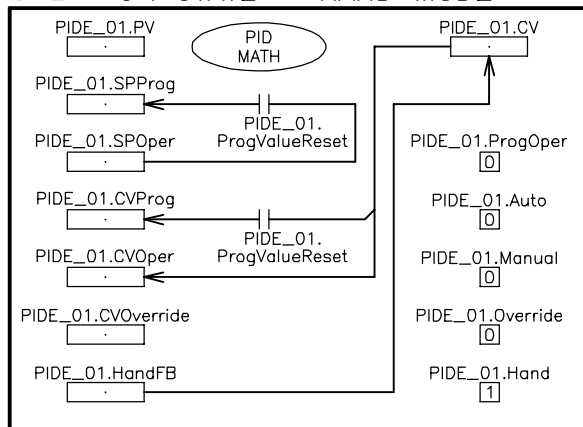
**OPERATOR STATE – AUTO MODE**



**OPERATOR STATE – MANUAL MODE**



**OPERATOR STATE – HAND MODE**



**OPERATOR STATE – OVERRIDE MODE**

